

PALUX BistroLine

PRICE LIST

Prices valid from 1st February 2023



PALUX

Die große Freiheit

PALUX BistroLine - List of Contents

	Page
PALUX BistroLine - Overview	4
Single-Pan Deep Fat Fryer	6
Dual-Pan Deep Fat Fryer	8
Chip Scuttle GN 1/1	10
Bain-Marie GN 1/1	11
Cooker GN 1/1	12
Pan 400	13
Pan 600	14
Griddle Plate 400	15
Griddle Plate 600	16
Griddle Plate 800 S	17
Grill-/Griddle Plate 600	18
Steak Grill 400	19
Steak Grill 600	20
Steak Grill 800	21
Sausage Grill 600	22
Ceramic Range 1	23
2-Plate Electric Range	24
Induction Range 1	25
Induction Range 2	26
Induction Wok 1	27
Induction Wok 2	28
2-Burner Gas Range	29
Gas Grill	30
Gas Lava Stone Grill	31

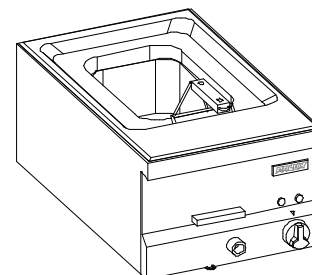
	Page
Work Top 400	32
Work Top 600	32
Work Top 200	32
Work Top / Installation Unit 1	33
Work Top / Installation Unit 2	33
Work Top / Installation Unit 3	33
Work Top / Installation Unit 4	33
Accessories Deep Fat Fryer	34
Accessories Cooker	34
Accessories Pan / Griddle Plate / Steak grill / Grill-/Griddle Plate	35
Accessories Ceramic Range / Induction Range	35
Accessories Induction Wok	35
Accessories Work top	35
General Accessories	36
Accessories Line Assembly	37
Product Code Base cabinet BLG	38
Base cabinet closed on three sides BLGOS	39
Base cabinet with folding door(s) BLGFT	39
Base cabinet with drawer block BLGSB	40
Base cabinet with garbage container BLGMA	40
Base cabinet with GN-slides BLGGN	41
Base cabinet as installation cabinet with folding door BLGIF	41
Base cabinet refrigerated element with refrigeration machine UBKE-M	42
Base cabinet refrigerated element with installation cabinet UBKE-I	43
Measurements Model 1 - folding down on all sides	44
Measurements Model 2 - folding up at rear, connection system on sides	44
Measurements plinth installation	45
PALUX BistroLine - Heat Emission	46

Planning information about PALUX BistroLine Induction

Induction appliances are fit out with a ventilator. For optimum utilisation, continuous performance and longevity of the induction units a good air flow must be considered. For Model 2 appliances (case folded up at back) installation is not possible at bottom cabinet with folding doors, with drawer, garbage container and refrigeration element. The specific profile wall connection must be considered.

Single-Pan Deep Fat Fryer		Art. No.	Price EUR
Case folded on down all sides		859311	
Dimensions (LxDxH):	400 x 650 x 270 (290 mm with feet)	Direct heat emission:	0,72 kW
Connected load:	8,0 kW 400 V3N	Latent heat emission:	5,60 kW
		Steam emission:	8,24 kg / h

Pan dimension: 220 x 340 x 190 mm
 Pan content: 6,5 - 10 Ltr. max
 Temperature: 100 - 180°C
 Connecting cable: 1500 mm
 Accessories included: 1x Deep fat frying basket (271586)



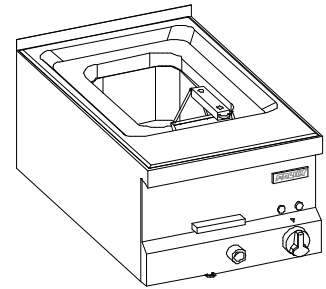
1x Cover
 1x Bread crumbs sieve (270679)
 1x Drainage valve (863262)

Single-Pan Deep Fat Fryer		Art. No.	Price EUR
Case folded on down all sides		884434	
Dimensions (LxDxH):	400 x 650 x 270 (290 mm with feet)	Direct heat emission:	0,54 kW
Connected load:	6,0 kW 400 V3N	Latent heat emission:	4,20 kW
		Steam emission:	6,18 kg / h

- Compare Art. No. 859311

Single-Pan Deep Fat Fryer		Art. No.	Price EUR
Case folding up 25 mm in rear, patented connection system on the side		863203	
Dimensions (LxDxH):	400 x 650 x 270 (290 mm with feet)	Direct heat emission:	0,72 kW
Connected load:	8,0 kW 400 V3N	Latent heat emission:	5,60 kW
		Steam emission:	8,24 kg / h

Pan dimension: 220 x 340 x 190 mm
 Pan content: 6,5 - 10 Ltr. max
 Temperature: 100 - 180°C
 Connecting cable: 1500 mm
 Accessories included: 1x Deep fat frying basket (271586)



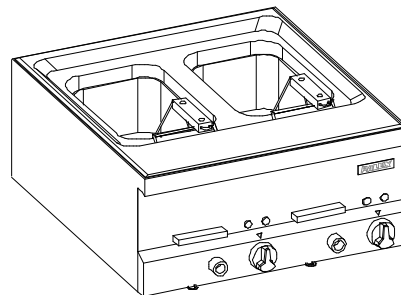
1x Cover
 1x Bread crumbs sieve (270679)
 1x Drainage valve (863262)

Single-Pan Deep Fat Fryer		Art. No.	Price EUR
Case folding up 25 mm in rear, patented connection system on the side		884436	
Dimensions (LxDxH):	400 x 650 x 270 (290 mm with feet)	Direct heat emission:	0,54 kW
Connected load:	6,0 kW 400 V3N	Latent heat emission:	4,20 kW
		Steam emission:	6,18 kg / h

- Compare Art. No. 863203

Dual-Pan Deep Fat Fryer		Art. No.	Price EUR
Case folded on down all sides		859338	
Dimensions (LxDxH):	600 x 650 x 270 (290 mm with feet)	Direct heat emission:	1,44 kW
Connected load:	16,0 kW 400 V3N	Latent heat emission:	11,2 kW
		Steam emission:	16,48 kg / h

Pan dimension: 220 x 340 x 190 mm each
 Pan content: each 6,5 - 10 Ltr. max.
 Temperature: 100 - 180°C each
 Connecting cable: 1500 mm
 Accessories included: 2x Deep fat frying basket (271586)



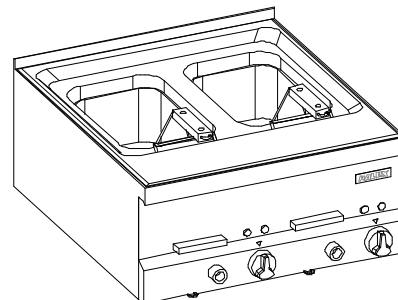
2x Cover
 2x Bread crumbs sieve (270679)
 2x Drainage valve (863262)

Dual-Pan Deep Fat Fryer		Art. No.	Price EUR
Case folded on down all sides		884435	
Dimensions (LxDxH):	600 x 650 x 270 (290 mm with feet)	Direct heat emission:	1,08 kW
Connected load:	12,0 kW 400 V3N	Latent heat emission:	8,40 kW
		Steam emission:	12,36 kg / h

- Compare Art. No. 859338

Dual-Pan Deep Fat Fryer		Art. No.	Price EUR
Case folding up at rear, connection system on sides		863211	
Dimensions (LxDxH):	600 x 650 x 270 (290 mm with feet)	Direct heat emission:	1,44 kW
Connected load:	16,0 kW 400 V3N	Latent heat emission:	11,20 kW
		Steam emission:	16,48 kg / h

Pan dimension: 220 x 340 x 190 mm each
 Pan content: each 6,5 - 10 Ltr. max.
 Temperature: 100 - 180°C each
 Connecting cable: 1500 mm
 Accessories included: 2x Deep fat frying basket (271586)



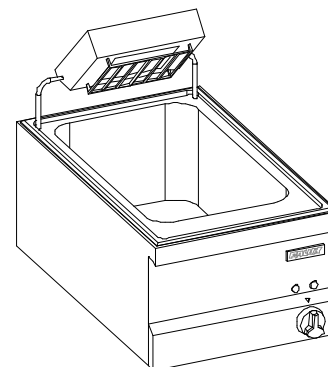
2x Cover
 2x Bread crumbs sieve (270679)
 2x Drainage valve (863262)

Dual-Pan Deep Fat Fryer		Art. No.	Price EUR
Case folding up at rear, connection system on sides		884437	
Dimensions (LxDxH):	600 x 650 x 270 (290 mm with feet)	Direct heat emission:	1,08kW
Connected load:	12,0 kW 400 V3N	Latent heat emission:	8,40 kW
		Steam emission:	12,36 kg / h

- Compare Art. No. 863211

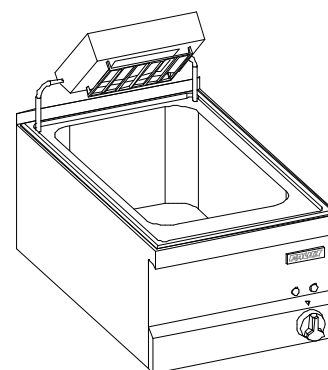
Chip Scuttle GN 1/1		Art. No.	Price EUR
Case folded on down all sides		859346	
Dimensions (LxDxH):	400 x 650 x 270 (290 mm with feet)	Direct heat emission:	0,11 kW
Connected load:	0,85 kW 230 V1N	Latent heat emission:	0,17 kW

Pan dimension: 308 x 509 x 140 mm
 Connecting cable: 1500 mm with plug
 Accessories included: 1x Perforated GN 1/1 insert (864595)



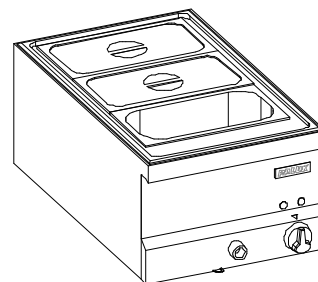
Chip Scuttle GN 1/1		Art. No.	Price EUR
Case folding up at rear, connection system on sides		863823	

- Compare Art. No. 859346



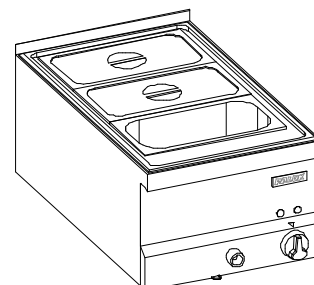
Bain-Marie GN 1/1		Art. No.	Price EUR
Case folded on down all sides		859354	
Dimensions (LxDxH):	400 x 650 x 270 (290 mm with feet)	Direct heat emission:	0,125 kW
Connected load:	1,0 kW 230 V1N	Latent heat emission:	0,20 kW
		Steam emission:	0,29 kg / h

Pan dimension: 308 x 509 x 220 mm
 Pan content: 30 Litre
 Temperature: 50 - 90°C
 Connecting cable: 1500 mm with plug
 Accessories included: 1x Drainage valve (863262)



Bain-Marie GN 1/1		Art. No.	Price EUR
Case folding up at rear, connection system on sides		863246	

- Compare Art. No. 859354



Cooker GN 1/1		Art. No.	Price EUR
Case folded on down all sides		859362	
Dimensions (LxDxH):	400 x 650 x 270 (290 mm with feet)	Direct heat emission:	0,75 kW
Connected load:	6,0 kW 400 V3N	Latent heat emission:	1,20 kW
		Steam emission:	1,76 kg / h

Pan dimension: 308 x 509 x 220 mm

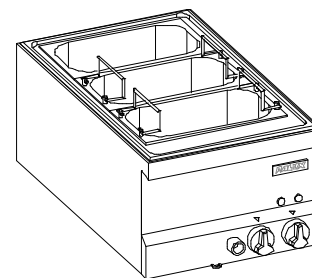
Pan content:
30 Litre

Temperature: 50 - 99°C

Connecting cable: 1500 mm

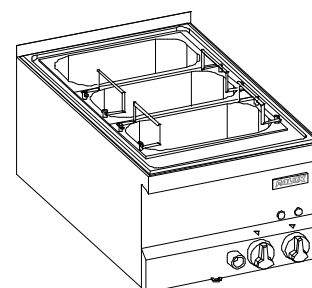
Accessories included: 1x Drain valve (863262)

1x Perforated insert bottom (864544)



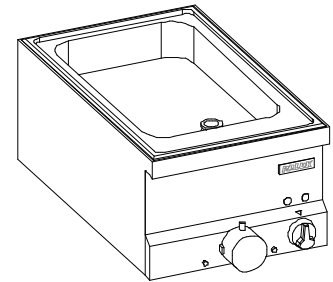
Cooker GN 1/1		Art. No.	Price EUR
Case folding up at rear, connection system on sides		863238	

- Compare Art. No. 859362



Pan 400		Art. No.	Price EUR
Case folded on down all sides		859397	
Dimensions (LxDxH):	400 x 650 x 270 (290 mm with feet)	Direct heat emission:	1,06 kW
Connected load:	4,0 kW 400 V2N	Latent heat emission:	1,28 kW
		Steam emission:	1,88 kg / h

Pan dimension: 308 x 509 x 90 mm
 Pan content: 13 Litre
 Cooking surface: 308 x 509 mm
 Temperature: 100 - 250°C
 Heating zone: 1
 Drainage: 40 mm
 Connecting cable: 1500 mm
 Accessories included: 1x Drain plug (862428)



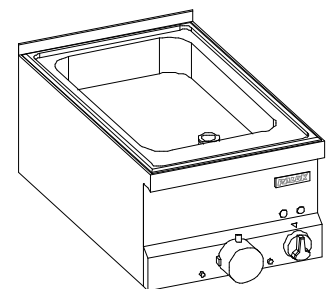
1x Safety-drain (863688)

1x Container (863769)

1x Cleaning scraper (864021)

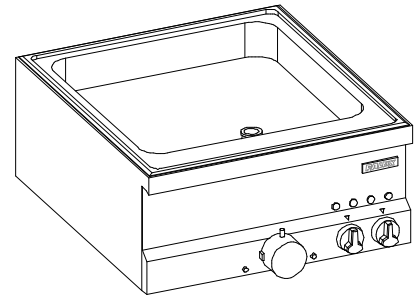
Pan 400		Art. No.	Price EUR
Case folding up at rear, connection system on sides		863874	

- Compare Art. No. 859397



Pan 600		Art. No.	Price EUR
Case folded on down all sides		859400	
Dimensions (LxDxH):	600 x 650 x 270 (290 mm with feet)	Direct heat emission:	2,12 kW
Connected load:	8,0 kW 400 V3N	Latent heat emission:	2,56 kW
		Steam emission:	3,76 kg / h

Pan dimension: 508 x 509 x 90 mm
 Pan content: 20 Litre
 Cooking surface: 508 x 509 mm
 Temperature: 100 - 250°C
 Heating zones: 2
 Drainage: 40 mm
 Connecting cable: 1500 mm
 Accessories included:: 1x Drain plug (862428)



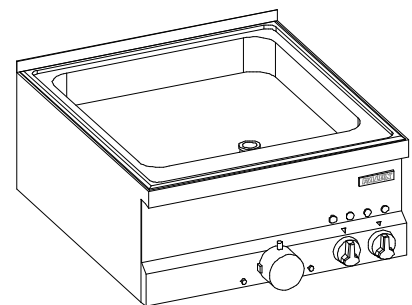
1x Safety-drain (863688)

1x Container (863769)

1x Cleaning scraper (864021)

Pan 600		Art. No.	Price EUR
Case folding up at rear, connection system on sides		863882	

- Compare Art. No. 859400



Griddle Plate 400		Art. No.	Price EUR
Case folding down on all sides		859427	
Dimensions (LxDxH):	400 x 650 x 270 (290 mm with feet)	Direct heat emission:	1,32 kW
Connected load:	4,0 kW 400 V2N	Latent heat emission:	1,60 kW
		Steam emission:	2,35 kg / h

Cooking surface: 308 x 509 mm, made of special steel 1.2316

Temperature: 100 - 250°C

Heating zones: 1

Drainage:

40 mm

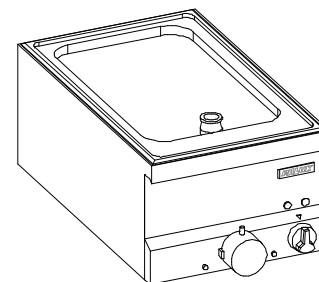
Connecting cable: 1500 mm

Accessories included: 1x Drain plug (867047)

1x Safety-drain (863688)

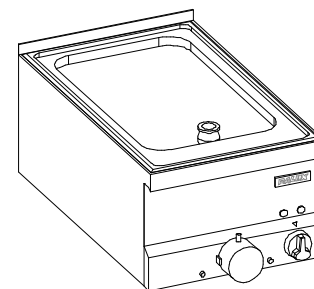
1x Container (863769)

1x Cleaning scraper (864021)



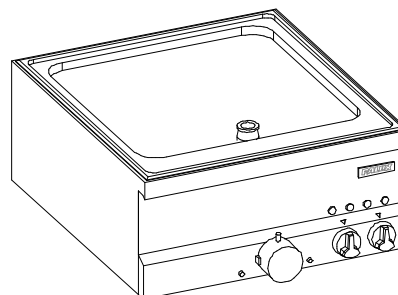
Griddle Plate 400		Art. No.	Price EUR
Case folding up at rear, connection system on sides		863890	

- Compare Art. No. 859427



Griddle Plate 600		Art. No.	Price EUR
Case folding down on all sides		859435	
Dimensions (LxDxH):	600 x 650 x 270 (290 mm with feet)	Direct heat emission:	2,64 kW
Connected load:	8,0 kW 400 V3N	Latent heat emission:	3,20 kW
		Steam emission:	4,70 kg / h

Cooking surface: 508 x 509 mm, made of special steel 1.2316
 Temperature: 100 - 250°C
 Heating zones: 2
 Drainage: 40 mm
 Connecting cable: 1500 mm
 Accessories included: 1x Drain plug (867 047)



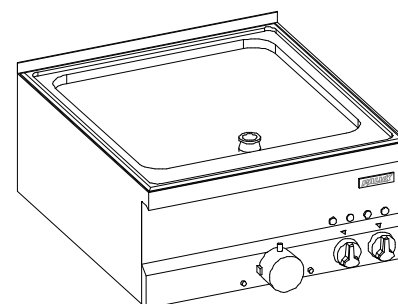
1x Safety-drain (863688)

1x Container (863769)

1x Cleaning scraper (864021)

Griddle Plate 600		Art. No.	Price EUR
Case folding up at rear, connection system on sides		863904	

- Compare Art. No. 859435



Griddle Plate 800 S		Art. No.	Price EUR
Case folding down on all sides		884687	
Dimensions (LxDxH):	800 x 650 x 270 (290 mm with feet)	Direct heat emission:	2,77 kW
Connected load:	8,4 kW 400 V3N	Latent heat emission:	3,36 kW
		Steam emission:	4,94 kg / h

Special steel 1.2316

Cooking surface: 704 x 506 mm

Temperature: 100 - 250°C

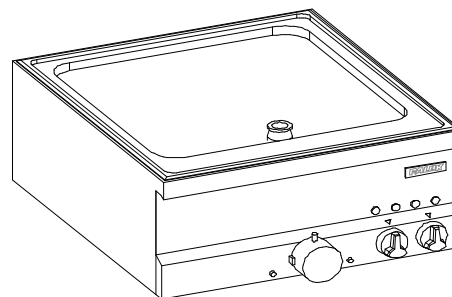
Heating zones: 2

Drainage:

40 mm

Connecting cable: 1500 mm

Accessories included: 1x Drain plug (867 047)



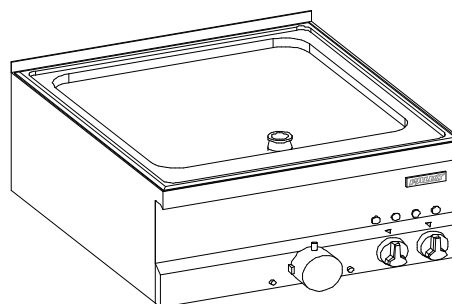
1x Safety-drain (863688)

1x Container (863769)

1x Cleaning scraper (864021)

Griddle Plate 800 S		Art. No.	Price EUR
Case folding up at rear, connection system on sides		884688	

- Compare Art. No. 884687



Grill-/Griddle Plate 600		Art. No.	Price EUR
Case folding down on all sides		882630	
Dimensions (LxDxH):	600 x 650 x 270 (290 mm with feet)	Direct heat emission:	2,64 kW
Connected load:	8,0 kW 400 V3	Latent heat emission:	3,20 kW
		Steam emission:	4,70 kg / h

Special steel 1.2316

Cooking surface: 508 x 509 mm

Cooking surface 1/2 grill (left side) / 1/2 griddle (right side)

Temperature: 100 - 250°C

Heating zones: 2

Drainage:

40 mm

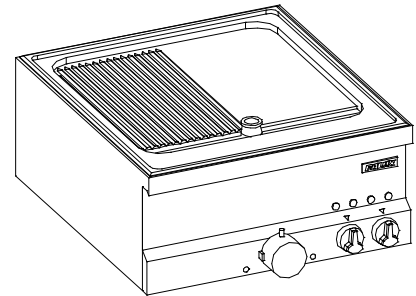
Connecting cable: 1500 mm

Accessories included: 1x Drain plug (867 047)

1x Safety-drain (863688)

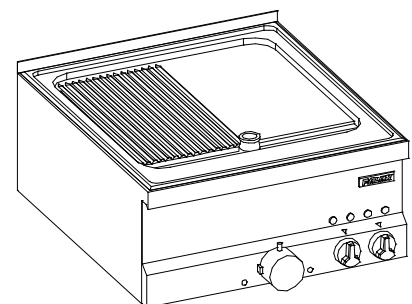
1x Container (863769)

1x Cleaning scraper (864021)



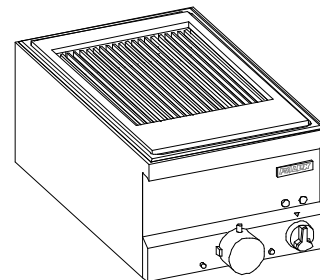
Grill-/Griddle Plate 600		Art. No.	Price EUR
Case folding up at rear, connection system on sides		880206	

- Compare Art. No. 882630



Steak Grill 400		Art. No.	Price EUR
Case folding down on all sides		859370	
Dimensions (LxDxH):	400 x 650 x 270 (290 mm with feet)	Direct heat emission:	1,06 kW
Connected load:	3,6 kW 230 V1N	Latent heat emission:	1,28 kW
		Steam emission:	1,88 kg / h

- Grilling surface: 290 x 410 mm
- Grilling directly on the CNS-flat-heating elements
- Heating element can be swivelled
- Grilling temperature infinitely variable adjustable
- Fat collecting pan with drain plug - drain outlet to the front
- Heating zones: 1
- Connecting cable: 1500 mm with plug
- Accessories included: 1x Drain plug (869961)



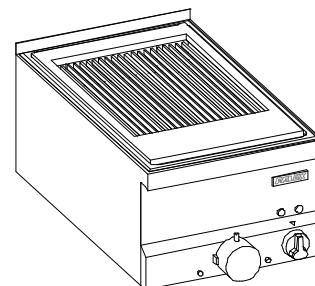
1x Safety-drain (863688)

1x Container (863769)

1x Cleaning scraper (864021)

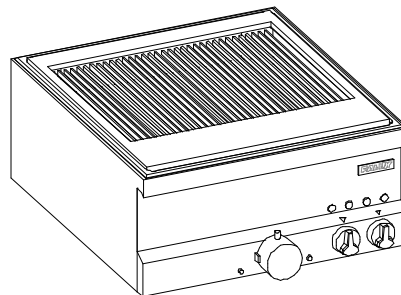
Steak Grill 400		Art. No.	Price EUR
Case folding up at rear, connection system on sides		863858	

- Compare Art. No. 859370



Steak Grill 600		Art. No.	Price EUR
Case folding down on all sides		859389	
Dimensions (LxDxH):	600 x 650 x 270 (290 mm with feet)	Direct heat emission:	1,68 kW
Connected load:	5,0 kW 400 V2N	Latent heat emission:	2,04 kW
		Steam emission:	3,00 kg / h

Grilling surface: 490 x 410 mm
 Grilling directly on the CNS-flat-heating elements
 Heating element can be swivelled
 Grilling temperature infinitely variable adjustable
 Fat collecting pan with drain plug - drain outlet to the front
 Heating zones: 2
 Connecting cable: 1500 mm
 Accessories included: 1x Drain plug (869961)



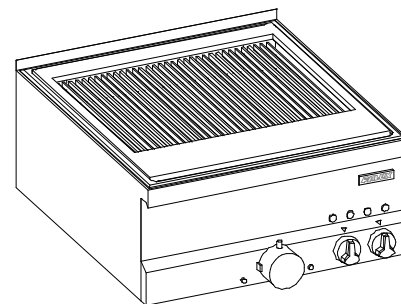
1x Safety-drain (863688)

1x Container (863769)

1x Cleaning scraper (864021)

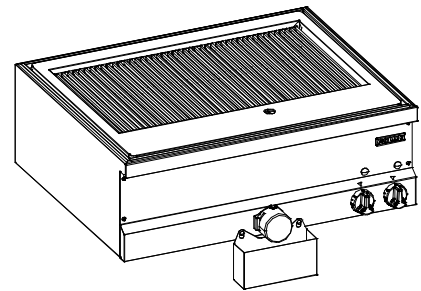
Steak Grill 600		Art. No.	Price EUR
Case folding up at rear, connection system on sides		863866	

- Compare Art. No. 859389



Steak Grill 800		Art. No.	Price EUR
Case folding down on all sides		889132	
Dimensions (LxDxH):	800 x 650 x 270 (290 mm with feet)	Direct heat emission:	2,44 kW
Connected load:	8,3 kW 400 V3N	Latent heat emission:	2,95 kW
		Steam emission:	4,33 kg / h

- Grilling surface: 684 x 410 mm
- Grilling directly on the CNS-flat-heating elements
- Heating element can be swivelled
- Grilling temperature infinitely variable adjustable
- Fat collecting pan with drain plug - drain outlet to the front
- Heating zones: 2 (1 x 4,7 kW, 1 x 3,6 kW)
- Connecting cable: 1500 mm
- Accessories included: 1x Drain plug (869961)



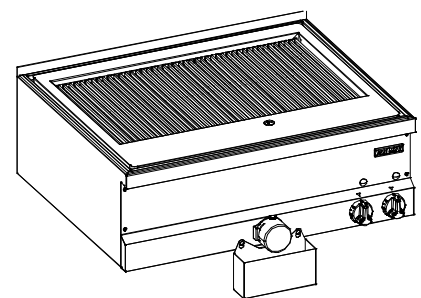
1x Safety-drain (863688)

1x Container (863769)

1x Cleaning scraper (864021)

Steak Grill 800		Art. No.	Price EUR
Case folding up at rear, connection system on sides		889133	

- Compare Art. No. 889132



Sausage Grill 600		Art. No.	Price EUR
Case folding down on all sides		973815	
Dimensions (LxDxH):	600 x 650 x 270 (290 mm with feet)	Wärmeabgabe sensibel:	2,70 kW
Connected Loadt:	8,2 kW 400 V 3N	Wärmeabgabe latent:	3,30 kW
		Dampfabgabe:	4,82 kg / h

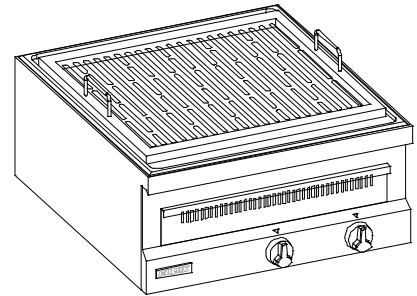
Grid made of special cast iron

Grilling surface: 470 x 500 mm

Removable drawer

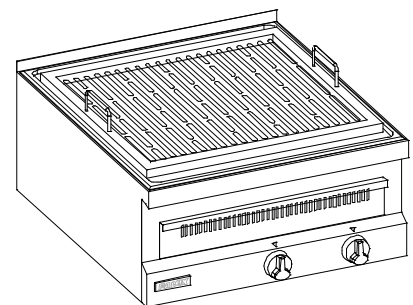
Heating zones: 2 (left 3/5, right 2/5)

Connecting cable: 1500 mm



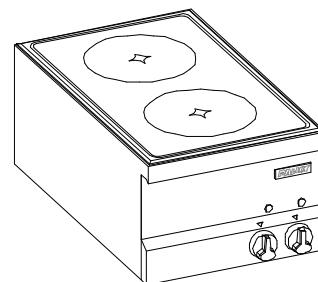
Sausage Grill 600		Art. No.	Price EUR
Case folding up at rear, connection system on sides		973823	

- Compare Art. No. 973815



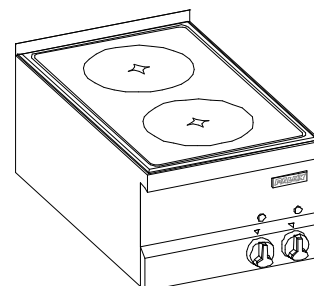
Ceramic Range 1		Art. No.	Price EUR
Case folded on down all sides		859451	
Dimensions (LxDxH):	400 x 650 x 270 (290 mm with feet)	Direct heat emission:	1,00 kW
Connected load:	5,0 kW 400 V2N	Latent heat emission:	0,40 kW
		Steam emission:	0,59 kg / h

Ceramic hob: 350 x 600 mm
 2 heating zones Ø 250 mm / 2,5 kW each
 Range of control: 1 - 3 continuously adjustable
 Connecting cable: 1500 mm



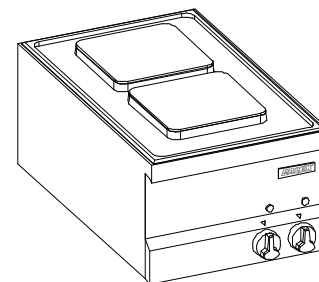
Ceramic Range 1		Art. No.	Price EUR
Case folding up at rear, connection system on sides		863912	

- Compare Art. No. 859451



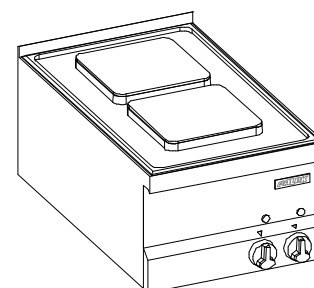
2-Plate Electric Range		Art. No.	Price EUR
Case folded on down all sides		923664	
Dimensions (LxDxH):	400 x 650 x 270 (290 mm with feet)	Direct heat emission:	1,00 kW
Connected load:	5,2 kW 400 V2N	Latent heat emission:	0,40 kW
		Steam emission:	0,59 kg / h

2 heating zones 220 x 220 mm / 2,6 kW
 Range of control: 1 - 6 continuously adjustable
 Connecting cable: 1500 mm



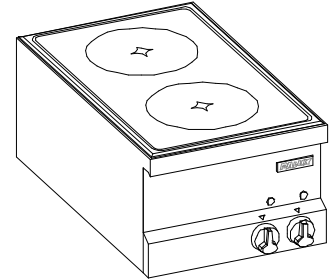
2-Plate Electric Range		Art. No.	Price EUR
Case folding up at rear, connection system on sides		923729	

- Compare Art. No. 923664



Induction Range 1		Art. No.	Price EUR
Case folded on down all sides		880910	
Dimensions (LxDxH):	400 x 650/670 x 270 (290 mm with feet)	Direct heat emission:	0,49 kW
Connected load:	7,0 kW 400 V3	Latent heat emission:	0,20 kW
		Steam emission:	0,29 kg / h

Ceramic hob: 350 x 600 mm
 2 heating zones Ø 220 mm / 3,5 kW each
 Range of control: 1 - 8
 Connecting cable: 1500 mm



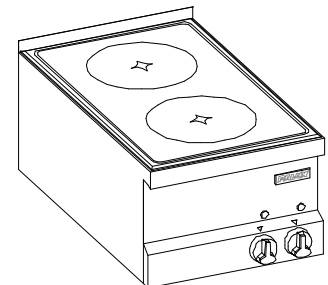
☞ Take into consideration length of appliance of 670 mm

☞ Take into consideration planning information PALUX BistroLine Induction (page 5)

Induction Range 1		Art. No.	Price EUR
Case folding up at rear, connection system on sides		880911	

- Compare Art. No. 880 910

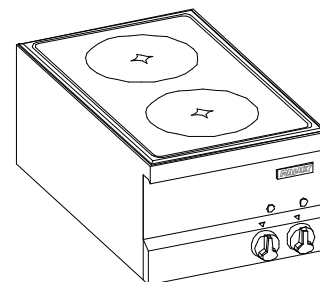
☞ Take into consideration length of appliance of 670 mm
 - profile wall connection necessary



☞ Take into consideration planning information PALUX BistroLine Induction (page 5)

Induction Range 2		Art. No.	Price EUR
Case folded on down all sides		880917	
Dimensions (LxDxH):	400 x 650/670 x 270 (290 mm with feet)	Direct heat emission:	0,70 kW
Connected load:	10,0 kW 400 V3	Latent heat emission:	0,28 kW
		Steam emission:	0,41 kg / h

Ceramic hob: 350 x 600 mm
 2 heating zones Ø 220 mm / 5,0 kW each
 Range of control: 1 - 8
 Connecting cable: 1500 mm



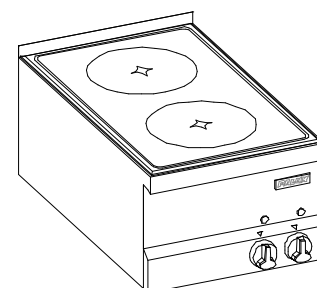
☞ Take into consideration length of appliance of 670 mm

☞ Take into consideration planning information PALUX BistroLine Induction (page 5)

Induction Range 2		Art. No.	Price EUR
Case folding up at rear, connection system on sides		880918	

- Compare Art. No. 880917

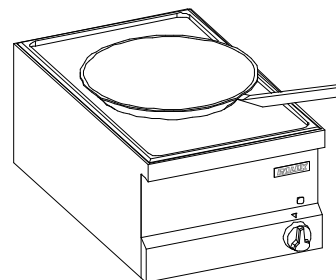
☞ Take into consideration length of appliance of 670 mm
 - profile wall connection necessary



☞ Take into consideration planning information PALUX BistroLine Induction (page 5)

Induction Wok 1		Art. No.	Price EUR
Case folded on down all sides		877945	
Dimensions (LxDxH):	400 x 650/670 x 270 (290 mm with feet)	Direct heat emission:	0,14 kW
Connected load:	3,5 kW 230 V1N	Latent heat emission:	0,06 kW
		Steam emission:	0,08 kg / h

- Ceramic Wok: Ø 300 mm
- Range of control: 1 - 8
- Connecting cable: 1500 mm with plug
- Accessories included: 1x Wok-Pan Ø 360 mm (692859)

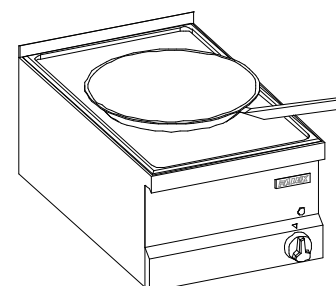


- ☞ Take into consideration length of appliance of 670 mm
- ☞ Take into consideration planning information PALUX BistroLine Induction (page 5)

Induction Wok 1		Art. No.	Price EUR
Case folding up at rear, connection system on sides		877947	

- Compare Art. No. 877945

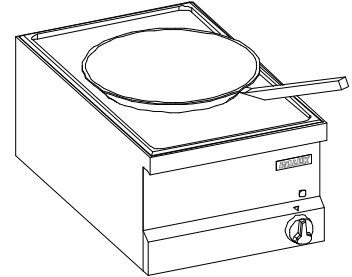
- ☞ Take into consideration length of appliance of 670 mm
- profile wall connection necessary



- ☞ Take into consideration planning information PALUX BistroLine Induction (page 5)

Induction Wok 2		Art. No.	Price EUR
Case folded on down all sides		877946	
Dimensions (LxDxH):	400 x 650/670 x 270 (290 mm with feet)	Direct heat emission:	0,20 kW
Connected load:	5,0 kW 400 V3	Latent heat emission:	0,08 kW
		Steam emission:	0,12 kg / h

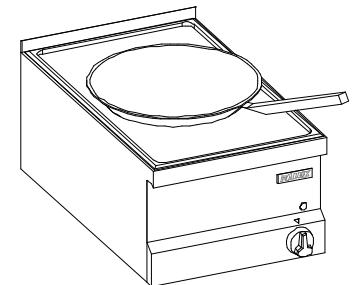
- Ceramic Wok: Ø 300 mm
- Range of control: 1 - 8
- Connecting cable: 1500 mm
- Accessories included: 1x Wok-Pan Ø 360 mm (692859)



- ☞ Take into consideration length of appliance of 670 mm
- ☞ Take into consideration planning information PALUX BistroLine Induction (page 5)

Induction Wok 2		Art. No.	Price EUR
Case folding up at rear, connection system on sides		877948	

- Compare Art. No. 877946



- ☞ Take into consideration length of appliance of 670 mm
- profile wall connection necessary
- ☞ Take into consideration planning information PALUX BistroLine Induction (page 5)

2-Burner Gas Range		Art. No.	Price EUR
Case folding down on all sides		859540	
Dimensions (LxDxH):	400 x 650 x 270 (290 mm with feet)	Direct heat emission:	2,13 kW
Load:	8,5 kW natural gas E	Latent heat emission:	0,85 kW
		Steam emission:	1,25 kg / h

with CNS sliding grill

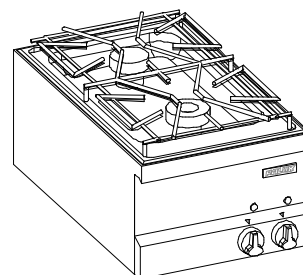
Cooking surface: 350 x 600 mm

Heating zones: 1x 3,5 kW / 1x 5,0 kW

Nozzle kit for natural gas LL has to be ordered separately if required (no extra charge).

Nozzle kit for natural gas LL: Art. No. 869805

CE Product ID Number 0085CN0056



Note for planning:

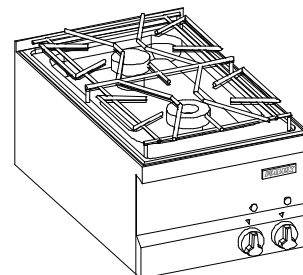
Open base cabinets must be planned for all gas appliances BistroLine due to the incoming air.

2-Burner Gas Range		Art. No.	Price EUR
Case folding up at rear, connection system on sides		863963	

- Compare Art. No. 859540

Note for planning:

Open base cabinets must be planned for all gas appliances BistroLine due to the incoming air.



Gas Grill		Art. No.	Price EUR
Case folding down on all sides		926108	
Dimensions (LxDxH):	600 x 650 x 270 (290 mm with feet)	Direct heat emission:	3,61 kW
Load:	10,3 kW natural gas E	Latent heat emission:	4,12 kW
		Steam emission:	6,06 kg / h

Grid made of special cast iron

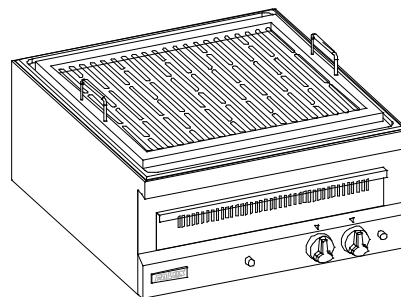
Grilling surface: 465 x 500 mm

Heating zones: 2x 5,15 kW

Nozzle kit for natural gas LL has to be ordered separately if required (no extra charge).

Nozzle kit for natural gas LL: Art. No. 939749

CE Product ID Number 0085BR0418



Note for planning:

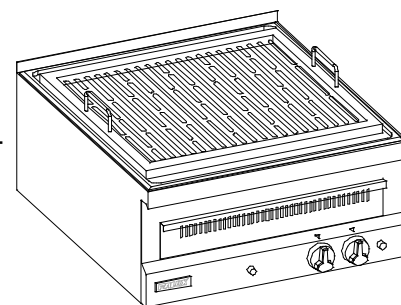
Open base cabinets must be planned for all gas appliances BistroLine due to the incoming air.

Gas Grill		Art. No.	Price EUR
Case folding up at rear, connection system on sides		926116	

- Compare Art. No. 926108

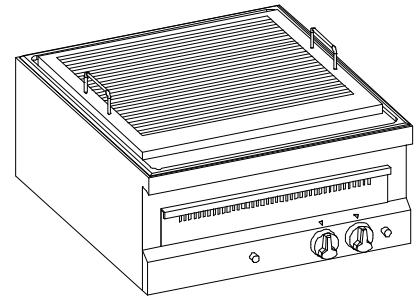
Note for planning:

Open base cabinets must be planned for all gas appliances BistroLine due to the incoming air.



Gas Lava Stone Grill		Art. No.	Price EUR
Case folding down on all sides		937789	
Dimensions (LxDxH):	600 x 650 x 270 (290 mm with feet)	Direct heat emission:	3,61 kW
Load:	10,3 kW natural gas E	Latent heat emission:	4,12 kW
		Steam emission:	6,06 kg / h

Grid made of stainless steel rods
 Grilling surface: 425 x 480 mm
 Heating zones: 2x 5,15 kW



Nozzle kit for natural gas LL has to be ordered separately if required (no extra charge).

Nozzle kit for natural gas LL: Art. No. 939749
 CE Product ID Number 0085BR0418

Note for planning:

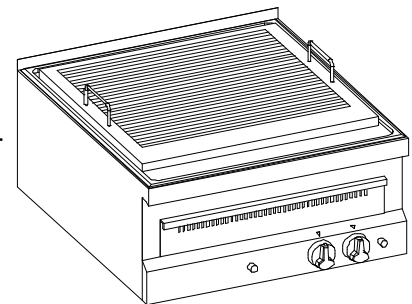
Open base cabinets must be planned for all gas appliances BistroLine due to the incoming air.

Gas Lava Stone Grill		Art. No.	Price EUR
Case folding up at rear, connection system on sides		937797	

- Compare Art. No. 937789

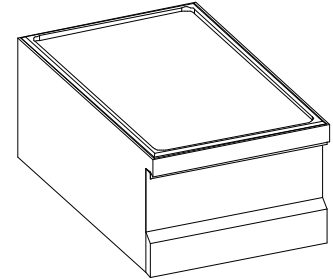
Note for planning:

Open base cabinets must be planned for all gas appliances BistroLine due to the incoming air.



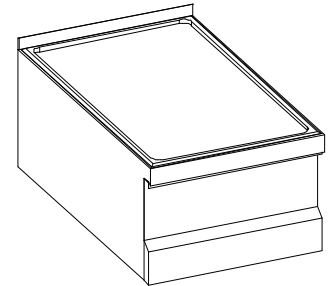
Work Top 400	Art. No.	Price EUR
Case folded on down all sides	859575	
Dimensions (LxDxH): 400 x 650 x 270 (290 mm with feet)		

Drawer GN 1/1 - 150 mm height / with single excerpt



Work Top 400	Art. No.	Price EUR
Case folding up at rear, connection system on sides	863971	

Drawer GN 1/1 - 150 mm height / with full excerpt



Work Top 600	Art. No.	Price EUR
Case folded on down all sides	859583	
Dimensions (LxDxH): 600 x 650 x 270 (290 mm with feet)		

Drawer GN 1/1 - 150 mm height / with single excerpt

Work Top 600	Art. No.	Price EUR
Case folding up at rear, connection system on sides	863998	

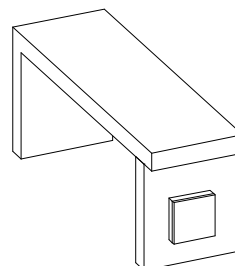
Drawer GN 1/1 - 150 mm height / with full excerpt

Work Top 200	Art. No.	Price EUR
Case folding up at rear, connection system on sides	947830	

1 x socket with earthing contact 230 V in front

Work Top / Installation Unit 1	Art. No.	Price EUR
Case folded on down all sides	865419	
Dimensions (LxDxH): 200 x 670 x 290 mm		

1x socket with earthing contact 230 V in front

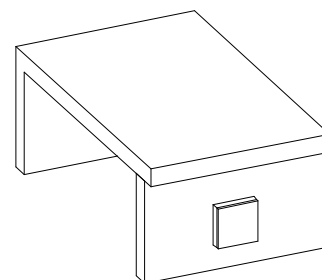


Work Top / Installation Unit 2	Art. No.	Price EUR
Case folded on down all sides	865532	
Dimensions (LxDxH): 200 x 670 x 290 mm		

1x socket with earthing contact 230 V
 3x CEE-socket 400 V
 1x socket with earthing contact 230 V in front

Work Top / Installation Unit 3	Art. No.	Price EUR
Case folded on down all sides	865540	
Dimensions (LxDxH): 400 x 670 x 290 mm		

1x socket with earthing contact 230 V in front




Work Top / Installation Unit 4	Art. No.	Price EUR
Case folded on down all sides	865559	
Dimensions (LxDxH): 400 x 670 x 290 mm		

2x socket with earthing contact 230 V
 6x CEE-socket 400 V
 1x socket with earthing contact 230 V in front

Accessories Deep Fat Fryer	Art. No.	Price EUR
Frying basket for Deep Fat Fryer Dimensions (LxDxH): 200 x 290 x 120 mm	271586	
1/2 Frying basket for Deep Fat Fryer Dimensions (LxDxH): 95 x 285 x 120 mm	275166	
Portion basket for Deep Fat Fryer Dimensions (LxDxH): 180 x 120 x 120 mm	374512	



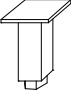
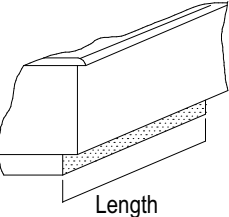

Accessories Cooker	Art. No.	Price EUR
GN 1/3 container - 200 mm deep perforated on 4 sides and bottom Ø 4 mm, with folding handles	609935	
GN-P 1/3 container - 200 mm deep perforated Ø 3 mm (Rice), with folding handles	649732	
GN 1/2 container - 200 mm deep perforated on 4 sides and bottom Ø 4 mm, with folding handles	609862	
Pasta basket, round - Ø 170 mm	628042	
Pasta basket, round - Ø 135 mm	628050	
Perforated insert bottom	864544	

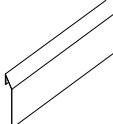
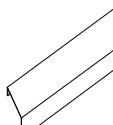
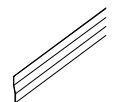
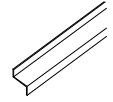
Accessories Pan / Griddle Plate / Steak grill / Grill-/Griddle Plate	Art. No.	Price EUR
Drain pipe made from stainless steel with fixation screw, diameter 40 mm, length 200 mm, height 110 mm To plug on drain	879883	
Kit of supporting rails for insert of GN-containers fixed in open bottom cabinet modul BLGOS	865567	
GN 1/1 container - 100 mm deep with folding handles	609773	
GN 1/1 container - 200 mm deep with folding handles	607207	
container „flat“ - for units above cooling	882705	
Care emulsion	883277	
Splash guard for Pan 400 / Griddle Plate 400	864552	
Splash guard for Pan 600 / Griddle Plate 600 / Grill-/Griddle Plate 600	864560	
Splash guard for Griddle Plate 800 S	00574257	
Cleaning Scraper for Steak grill	051144	
Spatula for Pan / Griddle plate / Grill-Griddle Plate	647187	
		
Abbildung Bratenwender (Best.-Nr. 647187)		

Accessories Ceramic Range / Induction Range	Art. No.	Price EUR
Ceramic griddle scraper	BI371732	
Spare blades for ceramic griddle scraper	BK179309	
Seperation Angle (see note page 4)	972908	-

Accessories Induction Wok	Art. No.	Price EUR
Wok-Pan Ø 360 mm	692859	
Seperation Angle (see note page 4)	972908	-

Accessories Work top	Art. No.	Price EUR
Man-made cutting board for work top 400	864579	
Man-made cutting board for work top 600	864587	

General Accessories			
Installation versions for base cabinet BLG Depth 540 mm		Art. No.	Price EUR
	Feet (2 pieces) on cross member, Height: 100 mm for working height 850 mm	300595	
	Feet (2 pieces) on cross member, Height: 150 mm for working height 900 mm	300122	
	Feet (2 pieces) on cross member, Height: 200 mm for working height 950 mm	300603	
	Castors (2 pieces) on cross member, Height: 168 _{mm} 1 of them with locking break, for working height 918 mm	300607	
Installation versions for refrigerated element UB Depth 675 mm		Art. No.	Price EUR
	Foot (1 piece) , Height: 100 mm for working height 850 mm	848336	
	Foot (1 piece) , Height: 150 mm for working height 900 mm	848344	
	Foot (1 piece) , Height: 200 mm for working height 950 mm	888236	
Kicking strip / plinth		Art. No.	Price EUR
 <p>Length</p>	Kicking strip as visual protection, made of stainless steel, Height 150 mm (Installation not included)	EUSK	per metre
	Plinth Stainless steel 1,5 mm with reinforcing sections, Height 150 mm	EUSR	per metre
Plug		Art. No.	Price EUR
	Plug CEE 400 V / 16 A Mounted on cable	ASSCEE416	
Optional feature - Mobile Base Cabinet		Art. No.	Price EUR
Optional feature "mobile", with steering rollers, for base cabinet of 600 mm length rollers-Ø 125 mm, rear panel and cable suspension included		ZMFLUG06	
Optional feature "mobile", with steering rollers, for base cabinet of 800 mm length rollers-Ø 125 mm, rear panel and cable suspension included		ZMFLUG08	
Optional feature "mobile", with steering rollers, for base cabinet of 1000 mm length rollers-Ø 125 mm, rear panel and cable suspension included		ZMFLUG10	
Optional feature "mobile", with steering rollers, for base cabinet of 1200 mm length rollers-Ø 125 mm, rear panel and cable suspension included		ZMFLUG12	

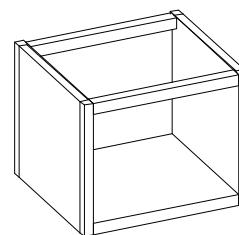
Accessories Line Assembly	Art. No.	Price EUR	
Side cover (for wall assembly) Depth 670 mm Model 1 - Case folding down on all sides Dimensions: 70 x 480 mm	864625		
Side cover (for wall assembly) Depth 650 mm Model 2 - Case folding up at rear Dimensions: 50 x 480 mm	864609		
Side cover (for wall assembly) Depth 670 mm Model 2 - Case folding up at rear (with induction appliances) Dimensions: 70/19 x 780/750 mm Execution left Execution right	864617 865923		
Side cover (for wall assembly) Depth 700 mm Model 2 - Case folding up at rear (with Z-profile ZBZP50) Dimensions: 100/49 x 780/750 mm Execution left Execution right	865931 865958		
	Profile wall connection Depth 20 mm Height 100 mm / Price per running metre - as compensation of length for induction appliances - as additional folding up at rear	ZBWP	
	Profile wall connection Depth 50 mm Height 100 mm / Price per running metre - as compensation of length for induction appliances - as additional folding up at rear	ZBWP1	
	Z-profile as wall connection Price per running metre	ZBZP	
	Z-profile as wall connection Depth 50 mm for total depth 700 mm / Price per running metre	ZBZP50	
Complete rear cover / price per running metre Insert in folding up	ZBRW		
Rear cover UB / price per running metre for free standing installation	ZBRWUB		
Hygiene cover for base cabinet BLG for units type 1 folded on all sides/ price per running metre	BLGH		

Product Code Base cabinet BLG

Type			Function		Length		Corpus		Version
1	2	3	4	5	6	7	8	9	10
BLG= Base cabinet BistroLine			OS= Closed on three sides FT= Folding door SB= Drawers MA= Garbage container GN= GN-slides IF= Installation and folding door		04= 400 mm 06= 600 mm 08= 800 mm 10= 1000 mm 12= 1200 mm		<u>Depth</u> 54= 540 mm		<u>Door hinging</u> L= Hinged on left side R= Hinged on right side <u>Drawer combinations</u> 1= 1 drawer Height 200 mm 2= 2 drawers Height 150/150 mm

Base cabinet closed on three sides BLGOS

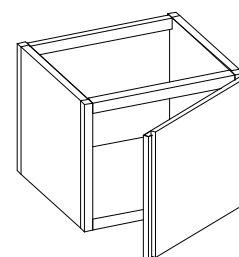
- For appliances model 1 and model 2
- Base cabinet as self-supporting structure
- Closed on three sides, open in front
- Hygiene floor shelf, floor shelf on three sides 25 mm folding up with radii 10 mm
- Interior and exterior cabinet absolutely smooth
- Made from stainless steel 1.4301
- Height 480 mm



	Depth 540 mm		
Length	Art. No.	Product Code	Price EUR
400 mm	390136	BLGOS0454	
600 mm	390137	BLGOS0654	
800 mm	390138	BLGOS0854	
1000 mm	390139	BLGOS1054	
1200 mm	390140	BLGOS1254	

Base cabinet with folding door(s) BLGFT

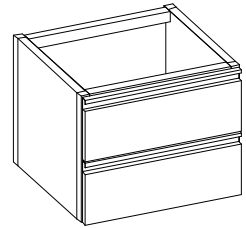
- For appliances model 1 and model 2
- Base cabinet as self-supporting structure
- Closed on four sides, with 1 or 2 double-walled folding doors
- Folding door with vertical handle and magnetic door latch
- Hygiene floor shelf, floor shelf on three sides 25 mm folding up with radii 10 mm
- Interior and exterior cabinet absolutely smooth
- Made from stainless steel 1.4301
- Height 480 mm



	Depth 540 mm			
Length	Art. No.	Product Code	Number of doors / door hinged	Price EUR
400 mm	390298	BLGFT0454L	1 / left	
400 mm	390299	BLGFT0454R	1 / right	
600 mm	390300	BLGFT0654L	1 / left	
600 mm	390301	BLGFT0654R	1 / right	
800 mm	390302	BLGFT0854	2 / left + right	

Base cabinet with drawer block BLGSB

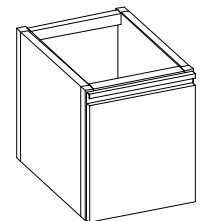
- For appliances model 1 and model 2
- Base cabinet as self-supporting structure
- Removable box drawers with double-walled drawer cover and stainless steel telescopic rails
- Drawer with horizontal handle
- Radius-design inside, on front and rear side
- Hygiene floor shelf, floor shelf on three sides 25 mm folding up with radii 10 mm
- Interior and exterior cabinet absolutely smooth
- Made from stainless steel 1.4301
- Height 480 mm



Depth 540 mm				
Length	Art. No.	Product Code	Number of drawers / height	Price EUR
400 mm	390362	BLGSB04541	1 / 200 mm	
400 mm	390363	BLGSB04542	2 / 150 + 150 mm	
600 mm	390365	BLGSB06541	1 / 200 mm	
600 mm	390366	BLGSB06542	2 / 150 + 150 mm	

Base cabinet with garbage container BLGMA

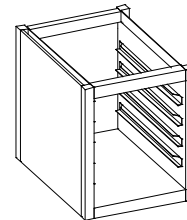
- For appliances model 1 and model 2
- Base cabinet as self-supporting structure
- Removable box drawer with garbage container and telescopic rails
- Drawer with horizontal handle
- Hygiene floor shelf, floor shelf on three sides 25 mm folding up with radii 10 mm
- Interior and exterior cabinet absolutely smooth
- Made from stainless steel 1.4301
- Height 480 mm



Depth 540 mm				
Length	Art. No.	Product Code	Number of plastic containers	Price EUR
400 mm	390525	BLGMA0454	2 pcs. (each 13.25 litres, Art. No. 892278)	
600 mm	390527	BLGMA0654	3 pcs. (each 13.2 litres, Art. No. 892278)	

Base cabinet with GN-slides BLGGN

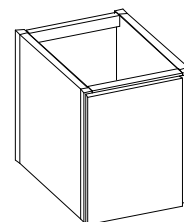
- For appliances model 1 and model 2
- Base cabinet as self-supporting structure
- Closed on three sides, for GN 1/1 containers and trays
- Hygiene floor shelf, floor shelf on three sides 25 mm folding up with radii 10 mm
- Interior and exterior cabinet absolutely smooth
- Made from stainless steel 1.4301
- Height 480 mm



Depth 540 mm				
Length	Art. No.	Product Code	Number of slides / Spacing	Price EUR
400 mm	390464	BLGGN0454	4 / 75 mm	

Base cabinet as installation cabinet with folding door BLGIF

- For appliances model 1 and model 2
- Base cabinet as self-supporting structure
- Closed on four sides with double-walled folding door
- Folding door with magnetic door latch and vertical handle
- Cut-out in floor shelf and rear wall
- Hygiene floor shelf, floor shelf on three sides 25 mm folding up with radii 10 mm
- Removable intermediate wall
- Interior and exterior cabinet absolutely smooth
- Made from stainless steel 1.4301
- Height 480 mm



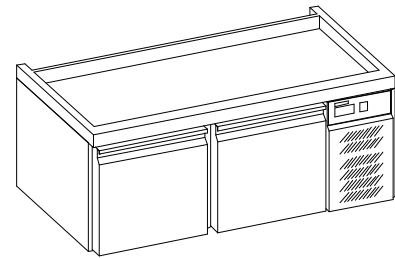
Depth 540 mm				
Length	Art. No.	Product Code	Door hinging	Price EUR
400 mm	390495	BLGIF0454L	left	
400 mm	390497	BLGIF0454R	right	



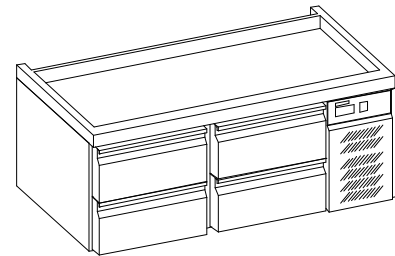
Terminal box
 (Art. No. 909548)
 Dimensions (LxDxH): 300 x 300 x 130 mm
 For 9 cables
 Connections for energy management system
 For installation in installation cabinet of 400 mm length

Base cabinet refrigerated element with refrigeration machine UBKE-M

- Refrigeration element with installation frame
- Refrigeration machine on right side
- Circulating air refrigeration, temperature range -2 to +10° C
- CFC-free, 50 mm PU insulation
- Interior: hygienic version with deep-drawn floor shelf
- Static cooling system, evaporator foames into rear wall, integrated drain channel
- Folding doors / drawers with recessed handles
- Drawers with radius at front and rear side
- Drawers for GN - containers of 100 mm height
- Electronic thermostat with digital display
- HACCP monitoring system
- Automatic defrost and evaporation of defrost water
- Accessories: 1 Rilsan coated grate per door
- Height 480 mm (incl. 50 mm high installation frame)



UBKE12M11



UBKE12M22

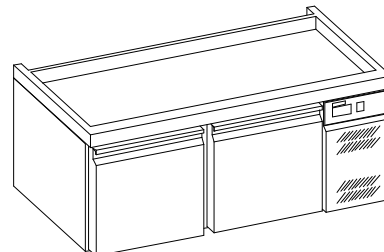
Gross contents: 145 Liter
Refrigeration capacity: 255 W at -15° C ET / +32° C AT
Refrigerant: R290
Connected load: 350 W 230 V 50 Hz
Consumption: 1,40 kWh / 24 h

Depth 675 mm				
Length	Art. No.	Door / drawer	Usable volume	Price EUR
1200 mm	UBKE12M11 ¹⁾	2 x doors	96 l	
1200 mm	UBKE12M22 ¹⁾	2 x 2 drawers	79 l	

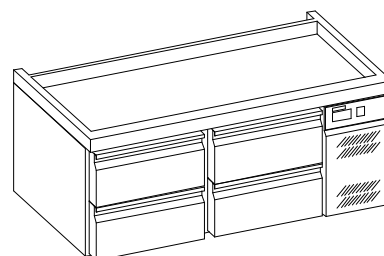
¹⁾ energy efficiency class B.

Base cabinet refrigerated element with installation cabinet UBKE-I

- Refrigeration element with installation frame
- Installation compartment on right side
Connection of electric cables, refrigeration pipes and drain provided by customer
- Circulating air refrigeration, temperature range -2 to +10° C
- CFC-free, 50 mm PU insulation
- Interior: hygienic version with deep-drawn floor shelf
- Static cooling system, evaporator foames into rear wall, integrated drain channel
- Doors / drawers with recessed handles
- Drawers with radius at front and rear side
- Drawers for GN - containers of 100 mm height
- Electronic thermostat with digital display
- HACCP monitoring system
- Automatic defrost and evaporation of defrost water
- Accessories: 1 Rilsan coated grate per door
- Expansion valve not included
- Height 480 mm (incl. 50 mm high installation frame)



UBKE1211



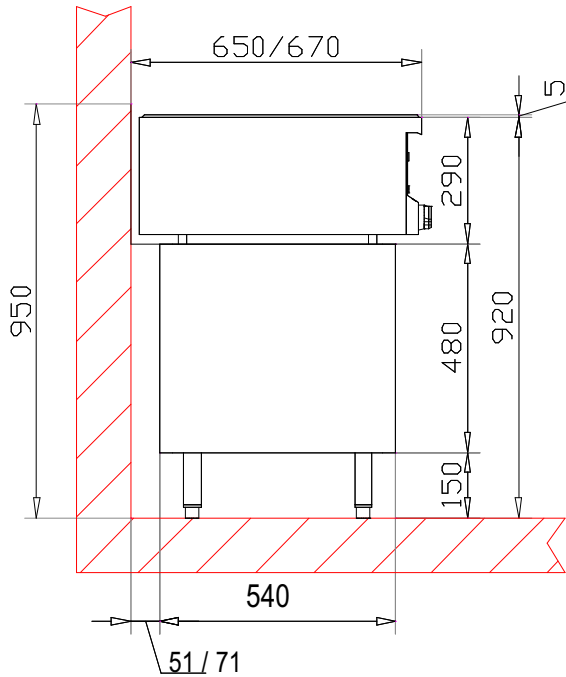
UBKE1212

Gross contents: 145 Liter
Refrigeration capacity: 200 W at -15° C ET / +32° C AT
Connected load: 80 W 230 V 50 Hz

Depth 675 mm				
Length	Art. No.	Door / drawer	Usable volume	Price EUR
1200 mm	UBKE1211	2 x doors	96 l	
1200 mm	UBKE1212	2 x 2 drawers	79 l	

Measurements Model 1 - folding down on all sides

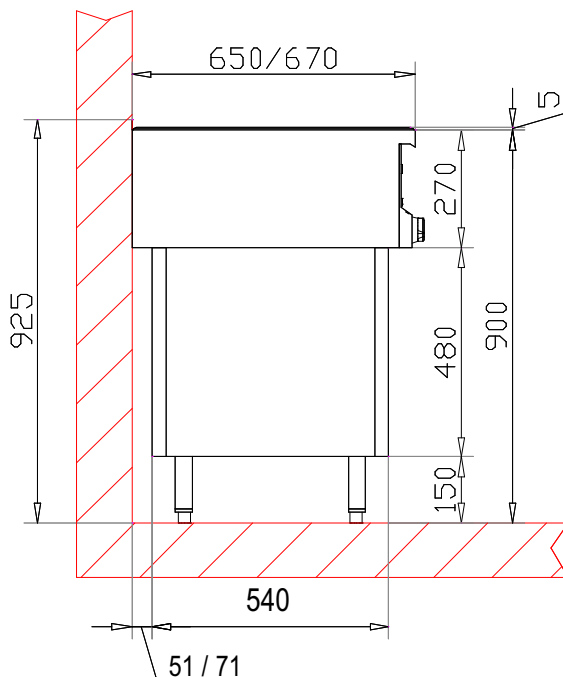
Appliances put on base cabinet with hygiene cover



Thanks to adjustment of feet a working height of 900 mm is possible at a floor liberty of 130 mm.

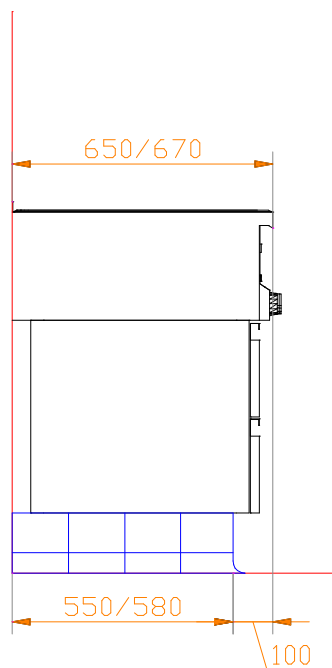
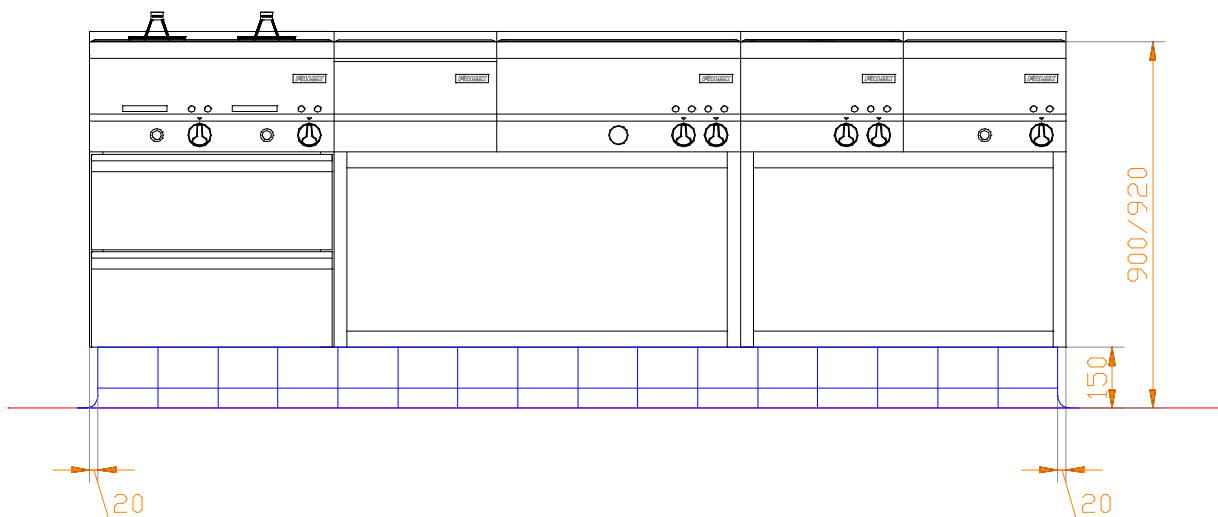
Measurements Model 2 - folding up at rear, connection system on sides

Appliances put on base cabinet BLG



Gap of 20 mm to the wall is necessary for induction appliances.

Measurements plinth installation



Item	Art. No.		kW	Heat emission kW		Steam emission
	Model 1	Model 2		direct	latent	
Single-Pan Deep Fat Fryer	859311	863203	8,0	0,72	5,60	8,24 kg/h
Single-Pan Deep Fat Fryer	884434	884436	6,0	0,54	4,20	6,18kg/h
Dual-Pan Deep Fat Fryer	884435	884437	12,0	1,08	8,40	12,36 kg/h
Dual-Pan Deep Fat Fryer	859338	863211	16,0	1,44	11,20	16,48 kg/h
Chip Scuttle GN 1/1	859346	863823	0,85	0,11	0,17	
Bain-Marie GN 1/1	859354	863246	1,0	0,125	0,20	0,29 kg/h
Cooker GN 1/1	859362	863238	6,0	0,75	1,20	1,76 kg/h
Pan 400	859397	863874	4,0	1,06	1,28	1,88 kg/h
Pan 600	859400	863882	8,0	2,12	2,56	3,76 kg/h
Griddle Plate 400	859427	863890	4,0	1,32	1,60	2,35 kg/h
Griddle Plate 600	859435	863904	8,0	2,64	3,20	4,70 kg/h
Griddle Plate 800 S	884687	884688	8,4	2,77	3,36	4,94 kg/h
Grill-/Griddle Plate 600	882630	880206	8,0	2,64	3,20	4,70 kg/h
Steak Grill 400	859370	863858	3,6	1,06	1,28	1,88 kg/h
Steak Grill 600	859389	863866	5,0	1,68	2,04	3,00 kg/h
Steak Grill 800	889132	889133	8,3	2,44	2,95	4,33 kg/h
Sausage Grill 600	973815	973823	7,5	2,50	3,00	4,40 kg/h
Ceramic Range 1	859451	863912	5,0	1,00	0,40	0,59 kg/h
2-Plate Electric Range	923664	923729	5,2	1,00	0,40	0,59 kg/h
Induction Range 1	880910	880911	7,0	0,49	0,20	0,29 kg/h
Induction Range 2	880917	880918	10,0	0,70	0,28	0,41 kg/h
Induction Wok 1	877945	877947	3,5	0,14	0,06	0,08 kg/h
Induction Wok 2	877946	877948	5,0	0,20	0,08	0,12 kg/h
2-Burner Gas Range	859540	863963	8,5	2,13	0,85	1,25 kg/h
Gas Grill	926108	926116	10,3	3,61	4,12	6,06 kg/h
Gas Lava Stone Grill	937789	937797	10,3	3,61	4,12	6,06 kg/h

All listed values are middle values and refer to normal operation.

Calculated in accordance with VDI 2052 04/2006.



PALUX Aktiengesellschaft
Wilhelm-Frank-Straße 36
97980 Bad Mergentheim
GERMANY
Telephone: +49 7931 55 0
Telefax: +49 7931 55 88600
Internet: www.palux.de
E-Mail: info@palux.de
Art. No. 723398 / 22.12.2022

PALUX

Das gute Fräse